



First choice when
quality counts.™

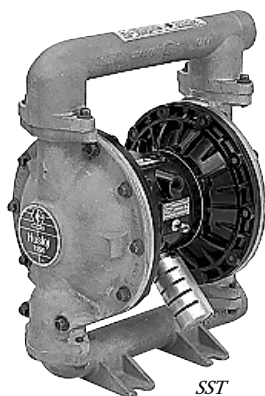
Husky™ 1590

Air-Operated Double Diaphragm Pump



Aluminum

- High flow – 100 gpm (378.5 lpm) in a compact, portable size
- Fluid pressure to 120 psi (8.4 bar, 0.84 MPa)
- High reliability patented “closed center” air valve is “online” serviceable
- Lube-free operation
- Epoxy-coated air section for tough environmental conditions



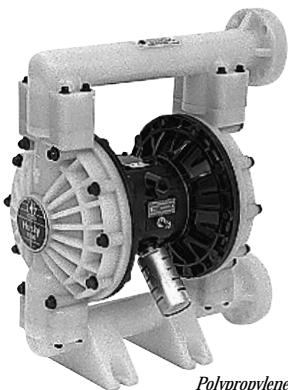
SST

Your Husky 1590 is a pump ready for action. With high flow rates, it can take on a large range of fluids to meet a wide variety of needs.

Smooth, clean fluid passages permit the use of heavier fluids at faster flow rates. The Husky 1590 has a new air valve system that is 100% serviceable without disassembly of the wetted parts. This saves valuable maintenance time.

You have a choice of four models: the aluminum general purpose pump; passivated 316 stainless steel to better handle more abrasive or corrosive fluids; polypropylene for general chemical use; and Kynar for aggressive chemicals and higher temperatures. Each model can be ordered with diaphragms, balls and seats to meet your specific needs.

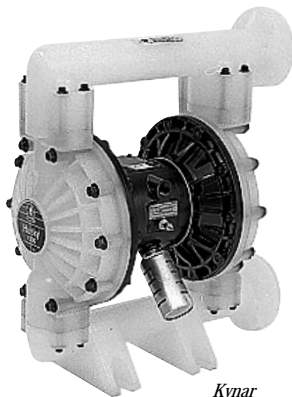
A hard working
pump for
a wide variety
of fluids



Polypropylene

Typical Applications

- Filter press
- Tank stripping
- Bilge pumping
- Sand and ball mill pumping
- Oil transfer, oil skimming
- Plating chemicals



Kynar

Typical Fluids Handled

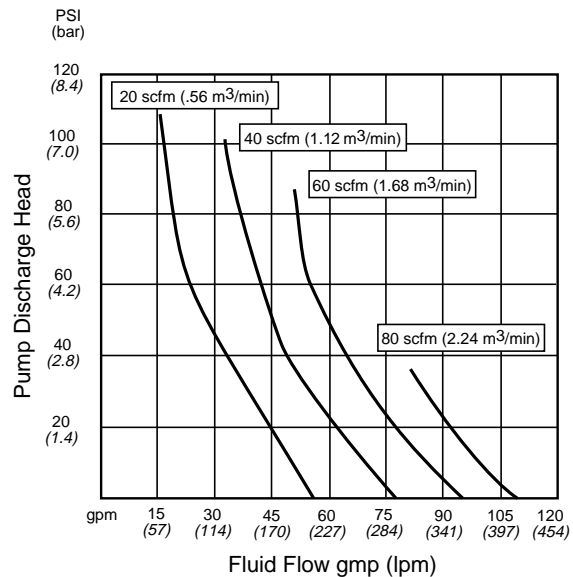
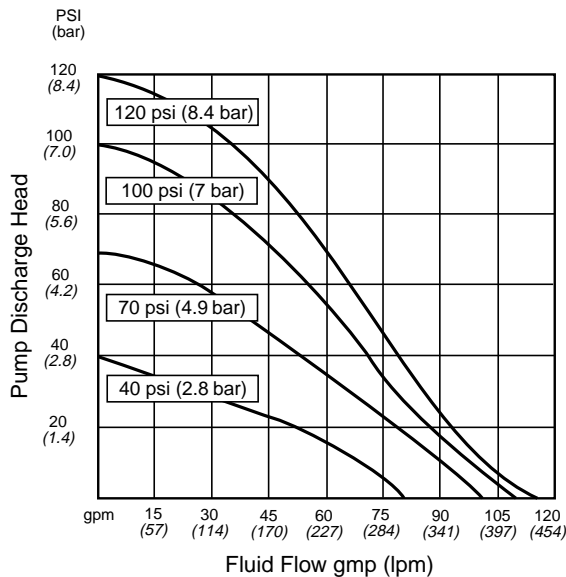
- Latex
- Abrasive and corrosive fluids
- Acids: hydrochloric, ferric, sulfuric, nitric, phosphoric
- Slurries: petroleum, lime, clay, ferrite, salt/brine, pumice
- Sludge: secondary, clarifier
- Pottery slip

Technical Specifications

Maximum Fluid Pressure	120 psi (8.4 bar, 0.84 MPa)
Maximum Free Flow Delivery	100 gpm (378.5 lpm)
Maximum Pump Speed	200 cpm
Gallons (Liters) per Cycle	0.5 gal. (1.96 lpm)
Maximum Size Pumpable Solids	3/16 in. (4.8 mm)
Maximum Suction Lift – Wet or Dry	18 ft. (5.48 m)
Air Pressure Operating Range	20-120 psi (1.4-8.4 bar, 0.14-0.84 MPa)
Maximum Operating Temperature	150°F (65.5°C)
	200°F (93.3°C) for models with Teflon diaphragms and metal or Kynar housings
Typical Noise Level (at 70 psi [4.8 bar, 0.48 MPa], 50 cpm)	72 dBA
Air Inlet	1/2 npt(f)
Fluid Inlet	
Aluminum & Stainless Steel	1-1/2 npt(f)
Polypropylene & Kynar	1-1/2 in. raised face flange
Fluid Outlet	
Aluminum & Stainless Steel	1-1/2 npt(f)
Polypropylene & Kynar	1-1/2 in. raised face flange
Weight	
Aluminum	33.5 lbs. (15.2 kg)
Stainless Steel	85 lbs. (38.6 kg)
Polypropylene	35 lbs. (16 kg)
Kynar	49 lbs. (22 kg)
Size	
Aluminum & Stainless Steel	15 in. W x 19 in. H x 10 ³ / ₈ in. D (381 mm W x 482 mm H x 264 mm D)
Polypropylene & Kynar	17.55 in. x W x 21.8 in. H x 10.45 in. D (445.8 mm W x 553.7 mm H x 265.3 mm D)
Mounting Hole Layout	
Aluminum & Stainless Steel	6 in. (152 mm) x 6 in. (152 mm)
Polypropylene & Kynar	6 in. (152 mm) x 6 in. (152 mm)
Instruction Manual	
Aluminum & Stainless Steel	308-441
Polypropylene & Kynar	308-549



Husky 1590 Performance Chart (Inlet Submerged in Water)



Husky 1590 Pump Accessories

206-197 Air Regulator

Max. working pressure: 300 psi (21 bar, 2.1 MPa).
Adjustment range: 0-125 psi (0-9 bar, 0-0.9 MPa).
3/8 npt(f).

214-656 Groundable Air Hose

Max. working pressure: 180 psi (12.6 bar, 1.26 MPa).
Buna-S core, Buna-N cover.
1/2 in. (13 mm) ID. 1/2 npt(mbe);
Length: 10 ft. (3.05 m).

106-149 Air Line Filter

Max. working pressure: 250 psi (17.5 bar, 1.75 MPa).
Inlet and outlet: 1/2 npt(f).
Reusable 20 micron filter and drain cock.

Air Line Quick Disconnect Coupler

110-199 Coupler 1/2 npt(f).

110-196 Fitting 1/2 npt(m).

222-914 Fluid Hose

Max. working pressure: 150 psi (10.5 bar, 1.05 MPa).
ID: 1-1/2 in. (38 mm).
Length: 8 ft. (2.4 m), 1-1/2 npt(fbe).

110-225 Bleed-Type Master Air Valve

Max. working pressure: 300 psi (21 bar, 2.10 MPa).
Inlet and outlet: 1/2 npt(f).

217-073 Filter/Regulator/Lubricator Assembly

Max. working pressure: 250 psi (17.5 bar, 1.75 MPa).
Inlet and outlet: 3/4 npt(f).
Air adjustment range: 0-250 psi (0-17.5 bar, 0-1.75 MPa).

100-960 Air Regulator Gauge

Max. working pressure: 200 psi (14 bar, 1.4 MPa).
1/4 npt(m).

Fluid Drain Valve

Max. working pressure: 500 psi (35 bar, 3.5 MPa).

237-534 SST and Teflon, 3/8 npt(mxf)

208-391 Steel and Teflon, 3/8 npt(mxf)

512-212 Fluid Shutoff Valves

Carbon steel. Maximum working pressure:
2000 psi (140 bar, 14.0 MPa). 1.5 npt(fbe).

236-452 Rubber Foot Kit

Install on pump feet to reduce noise and vibration.

Groundable Exhaust Air Hoses

Max. working pressure: 180 psi (12.6 bar, 1.26 MPa).

Buna-N core, Buna-N cover. 3/8 in. (10 mm) ID.

208-610 3/4 npt(mbe); Length: 6 ft. (1.83 m).

205-548 3/4 npt(mbe); Length: 15 ft. (4.57 m).

100-385 Exhaust Hose Coupling

Connects muffler to exhaust hose. 3/4 npt(fbe).

Pressure Relief Valve

110-134 Aluminum, Buna-N seals

112-119 SST, Teflon seals

Flange Kits

With Teflon gaskets and SST fasteners.

239-006 For 1590 Polypropylene

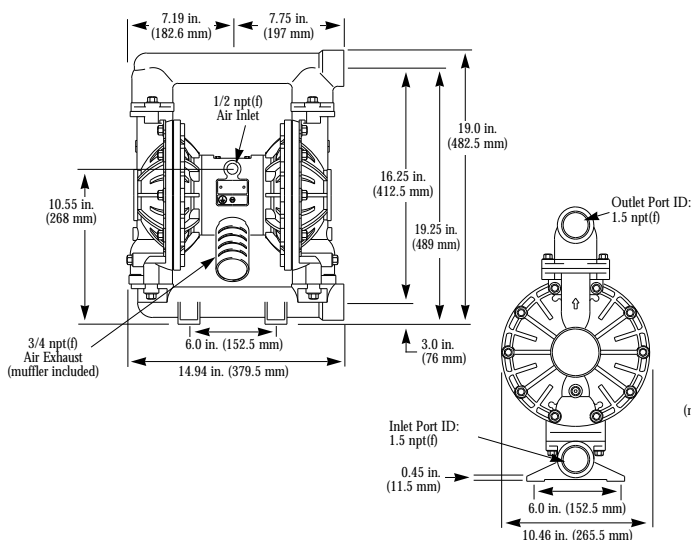
239-010 For 1590 Kynar

237-569 Grounding Wire and Clamp

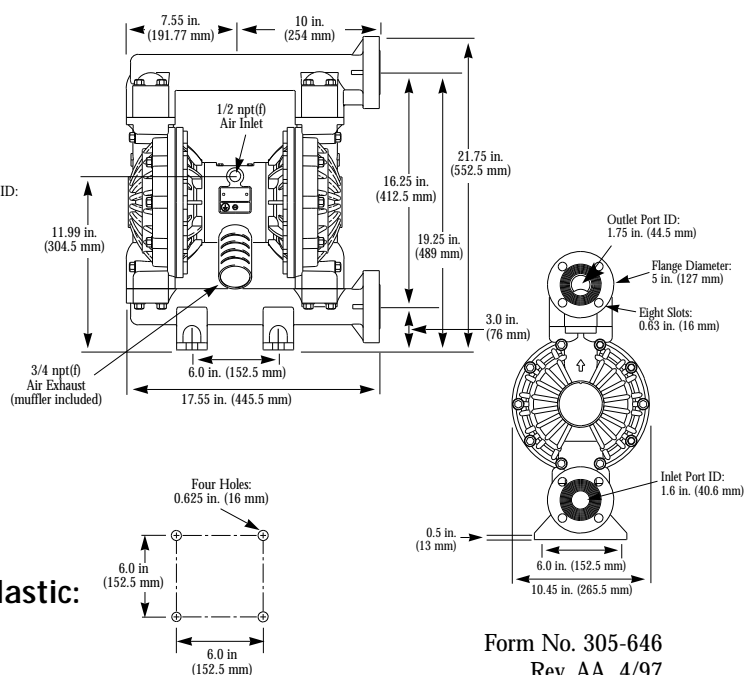
25 ft. (7.6 m) long, 12 ga. (1.5 mm²).

Husky 1590 Pump Dimensions

Metal Models



Plastic Models



Mounting Hole Pattern for Metal and Plastic:

Order Numbers for the Husky 1590

Diaphragm Pump	Air Motor	Wetted Section	<i>Select One from Each Column</i>		
			Seats / Guides	Balls / Checks	Diaphragms
Metal Pumps					
D	B	3 (Aluminum)	3 (316 SST)	1 (Teflon)	1 (Teflon)
		4 (SST)	4 (17-4 PH SST)	2 (Acetal)	5 (Hytrel)
			5 (Hytrel)	4 (440C SST)	6 (Santoprene)
			6 (Santoprene)	5 (Hytrel)	8 (Viton)
			9 (Polypropylene)	6 (Santoprene)	
		A (Kynar)	8 (Viton)		
Plastic Pumps					
D	B	2 (Polypropylene)	3 (316 SST)	1 (Teflon)	1 (Teflon)
		5 (Kynar)	4 (17-4 PH SST)	2 (Acetal)	5 (Hytrel)
			5 (Hytrel)	4 (440C SST)	6 (Santoprene)
			6 (Santoprene)	5 (Hytrel)	8 (Viton)
			9 (Polypropylene)	6 (Santoprene)	
		A (Kynar)	8 (Viton)		

Husky 1590 Conversion/Repair Kits

Conversion/Repair Kits may be ordered separately. To repair the seats, balls and diaphragms, select the six digits which describe your pump from the following matrix, working from left to right. The first three digits are always D0B or D0C. The remaining three digits define the materials of construction. A choice of zero allows you to omit that component. Example: To order Teflon diaphragms only for a metal 1590 pump order D0B-001.

Diaphragm Pump	Kit	Shaft O-Ring	<i>Select One from Each Column</i>		
			Seats	Balls	Diaphragms
Metal Pumps					
D	0	B (Teflon)	3 (316 SST)	1 (Teflon)	1 (Teflon)
			4 (17-4 PH SST)	2 (Acetal)	5 (Hytrel)
			5 (Hytrel)	4 (440C SST)	6 (Santoprene)
			6 (Santoprene)	5 (Hytrel)	8 (Viton)
			8 (Viton)	6 (Santoprene)	
	9 (Polypropylene)	8 (Viton)			
		A (Kynar)			
Plastic Pumps					
D	0	C (Plastic)	3 (316 SST)	1 (Teflon)	1 (Teflon)
			4 (17-4 PH SST)	2 (Acetal)	5 (Hytrel)
			5 (Hytrel)	4 (440C SST)	6 (Santoprene)
			6 (Santoprene)	5 (Hytrel)	8 (Viton)
			8 (Viton)	6 (Santoprene)	
	9 (Polypropylene)	8 (Viton)			
		A (Kynar)			

Sales/Distribution

North America Toll Free 800-367-4023
 Telephone 612-623-6743
 Fax 612-623-6580

Contact sales personnel
 Locate authorized distributors
 Product information literature



GRACO INC.
 P.O. Box 1441
 Minneapolis, MN 55440-1441



Graco Inc. is registered to I.S. EN ISO 9001.

All visual and written data contained in this document are based on the latest product information available at the time of publication. Graco reserves the right to make changes at any time without notice.