



First choice when  
quality counts.™

# Husky™ 1040

## Air-Operated Double Diaphragm Pump



Aluminum



SST



Acetal



Polypropylene



Kynar

- High flow – 40 gpm (151 lpm) in a compact, portable size
- Fluid pressure to 120 psi (8.4 bar, 0.84 MPa)
- E-coated center section for corrosive environments
- Equipped with a tried and true air valve system
- Stainless steel exterior hardware
- On-line serviceable air valve

Your Husky 1040 is a pump ready for action. With high flow rates, it can take on a large range of fluids to meet a wide variety of needs.

Smooth, clean fluid passages permit the use of heavier fluids at faster flow rates. The Husky 1040 has a new air valve system that is 100% serviceable without disassembly of the wetted parts.

You have a choice of five models: the aluminum all-around general purpose pump; passivated 316 stainless steel to better handle the more abrasive or corrosive fluids; acetal for paints/solvents; polypropylene for general chemicals; and Kynar for very aggressive chemicals or elevated temperatures. Each model has a selection of conversion kits, making it easy to adapt your pump to your specific fluid needs. UL listed models are also available.

### Typical Applications

- Drum fluid transfer
- Unloading fluids
- Chemical evacuation
- Ceramic glaze supply
- Dewatering and sump evacuation

### Typical Fluids Handled

- Tank and sump drainage, sewer cleaning, chemicals, contaminated surface water, emergency pumping
- Adhesives, varnishes, dispersions, solvents, stains
- Resins, latexes, wood preservative stains, concrete paints, primers

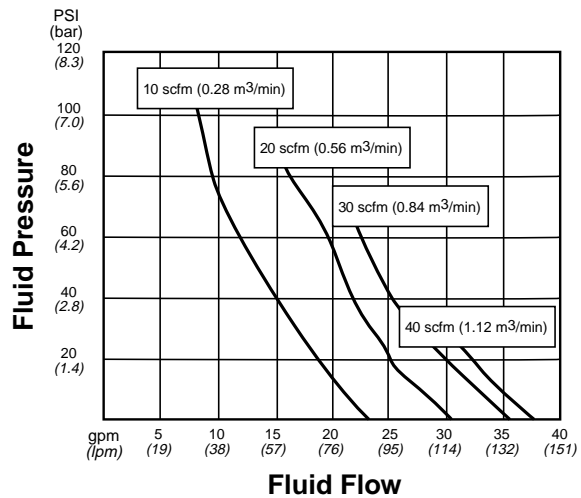
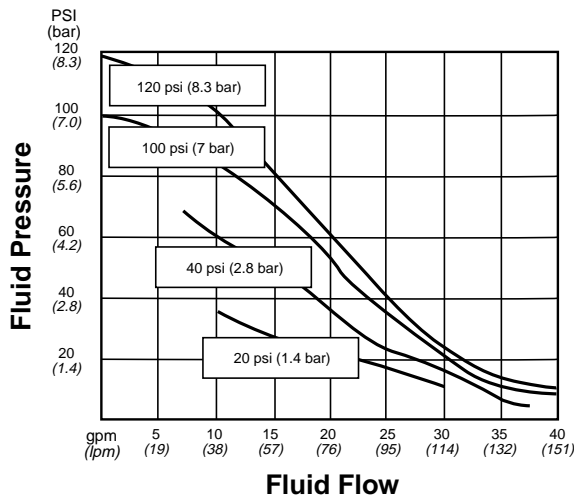
A hard working  
pump for  
a wide variety  
of fluids

# Technical Specifications

Maximum fluid pressure .....	120 psi (8.4 bar, 0.84 MPa)
Maximum free flow delivery .....	40 gpm (151 lpm)
Maximum pump speed .....	276 cpm
Gallons (liters) per cycle .....	0.15 gal. (0.57 lpm)
Maximum size pumpable solids .....	1/8 in. (3.2 mm)
Maximum suction lift – wet or dry .....	18 ft. (5.48 m)
Air pressure operating range .....	20-120 psi (1.4-8.4 bar, 0.14-0.84 MPa)
Maximum operating temperature .....	150°F (65.5°C)
	200°F (93.3°C) for models with Teflon diaphragms and metal or Kynar housings
Typical noise level (at 70 psi [4.8 bar, 0.48 MPa], 50 cpm) .....	77 dBA
Air inlet .....	1/2 npt(f)
<b>Fluid inlet and outlet</b>	
Aluminum & Stainless Steel .....	1 npt(f)
Acetal, Polypropylene & Kynar .....	1 in. raised face flange
<b>Weight</b>	
Aluminum .....	18 lbs. (8.2 kg)
Stainless Steel .....	33 lbs. (15 kg)
Acetal .....	22 lbs. (10 kg)
Polypropylene .....	19 lbs. (8.6 kg)
Kynar .....	25 lbs. (11.3 kg)
<b>Size</b>	
Aluminum & Stainless Steel .....	12 in. W x 14 in. H x 9-1/4 in. D (304.8 mm W x 355.6 mm H x 235 mm D)
Acetal, Polypropylene & Kynar .....	13.5 in. x W x 16.88 in. H x 9-1/4 in. D (342.9 mm W x 428.8 mm H x 235 mm D)
Mounting hole layout .....	5 in. x 5-1/2 in. (127 mm x 139.7 mm)
Wall bracket mounting hole pattern ..	6.24 in. W x 5.38 in. H (158.5 mm W x 136.7 mm H)
<b>Instruction manual</b>	
Aluminum & Stainless Steel .....	308-479
Acetal, Polypropylene & Kynar .....	308-443



## Husky 1040 Performance Chart (Inlet Submerged in Water)



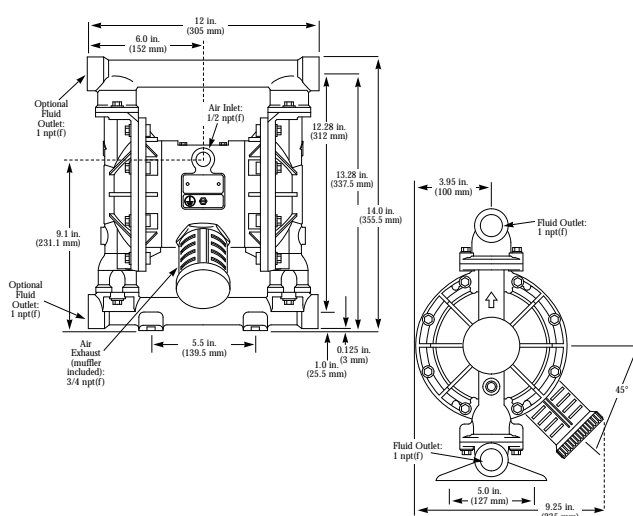
# Husky 1040 Pump Accessories

- 235-409 Fluid Pressure Relief Valve Kit**  
Venting pressure: 150 psi (10.5 bar, 1.05 MPa).  
*For use with aluminum pumps only.*
- 110-234 Air Regulator**  
Max. working pressure: 300 psi (21 bar, 2.1 MPa).  
Adjustment range: 0-250 psi (0-17.5 bar, 0-1.75 MPa). 3/8 npt(f).
- 221-169 Groundable Air Hose**  
Max. working pressure: 180 psi (12.6 bar, 1.26 MPa).  
Buna-S core, Buna-N cover.  
1/2 in. (13 mm) ID.
- 106-148 Air Line Filter**  
Max. working pressure: 250 psi (17.5 bar, 1.75 MPa).  
Inlet and outlet: 3/8 npt(f).  
Reusable 20 micron filter and drain cock.
- Air Line Quick Disconnect Coupler**  
**110-198 Coupler** 3/8 npt(f).  
**169-971 Fitting** 3/8 npt(m).
- 189-233 Wall Mounting Bracket**
- 237-569 Grounding Wire and Clamp**  
25 ft. (7.6 m) long, 12 ga. (1.5 mm<sup>2</sup>).
- 109-064 Groundable Fluid Hose**  
Max. working pressure: 1000 psi (70 bar, 7.0 MPa).  
Nitrile core, nitrile cover. ID: 1 in. (25 mm)  
Length: 28 in. (0.7 m), 1 npt(mbe).
- 110-224 Bleed-Type Master Air Valve**  
Max. working pressure: 300 psi (21 bar, 2.10 MPa).  
Inlet and outlet: 3/8 npt(f).
- 110-150 Filter/Regulator/Lubricator Assembly**  
Max. working pressure: 250 psi (17.5 bar, 1.75 MPa).  
Inlet and outlet: 3/8 npt(f).

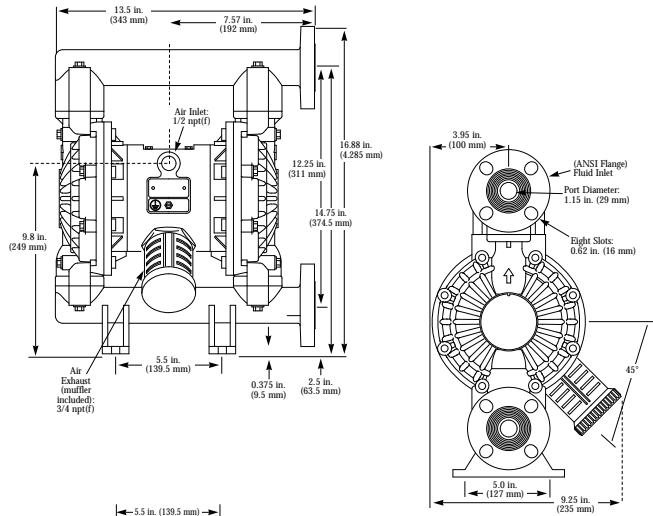
- 100-960 Air Regulator Gauge**  
Max. working pressure: 200 psi (14 bar, 1.4 MPa).  
1/4 npt(m).
- Fluid Drain Valve**  
Max. working pressure: 500 psi (35 bar, 3.5 MPa).  
**237-534** SST and Teflon, 3/8 npt(mxf)  
**208-391** Steel and Teflon, 3/8 npt(mxf)
- Fluid Shutoff Valves** 1 npt(fbe).  
**512-152** Carbon steel. Max. working pressure:  
2000 psi (140 bar, 14.0 MPa).  
**512-486** Stainless steel. Max. working pressure:  
600 psi (42 bar, 4.2 MPa).
- Fluid Suction Line Assemblies for 55 Gal. (200 Liter)**  
For bung-mounted transfer applications, order:  
**157-785** Swivel Union  
**158-555** Nipple  
**206-266** Suction Tube  
For wall-mounted transfer applications, order:  
**158-586** Bushing  
**223-009** Suction Tube
- 236-452 Rubber Foot Kit**  
Install on pump feet to reduce noise and vibration.
- 236-273 Air Valve Repair Kit**
- Pressure Relief Valve**  
**110-134** Aluminum, Buna-N seals  
**112-119** SST, Teflon seals
- Flange Kits**  
With Teflon gaskets and SST fasteners.  
**239-005** For 1040 Polypropylene  
**239-008** For 1040 SST  
**239-009** For 1040 Kynar

## Husky 1040 Pump Dimensions

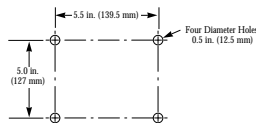
### Metal Models



### Plastic Models



### Mounting Hole Pattern for Metal and Plastic:



Form No. 305-588  
Rev. AB 8/97

## Order Numbers for the Husky 1040

To determine the model number of your pump from the following matrix, select the six digits which describe your pump-of-choice, working from left to right. The first digit is always "D," designating Husky diaphragm pumps. The remaining five digits define the materials of construction. Example: a pump with an aluminum air motor and fluid section, polypropylene seats, Teflon balls, and Teflon diaphragms is Model D73-911.

Diaphragm Pump	Air Motor	Fluid Section	Select One from Each Column		
			Seats	Balls	Diaphragms
D	7	1 (Acetal) 2 (Polypropylene) 3 (Aluminum) 4 (SST) 5 (Kynar)	2 (Acetal) 3 (316 SST) 4 (17-4 PH, SST) 5 (Hytrel) 6 (Santoprene) 8 (Viton) 9 (Polypropylene) A (Kynar)	1 (Teflon) 2 (Acetal) 3 (316 SST) 4 (440C SST) 5 (Hytrel) 6 (Santoprene) 7 (Buna-N) 8 (Viton)	1 (Teflon) 5 (Hytrel) 6 (Santoprene) 7 (Buna-N) 8 (Viton)

## Husky 1040 Conversion/Repair Kits

Conversion/Repair Kits may be ordered separately. To repair the seats, balls and diaphragms, select the six digits which describe your pump from the following matrix, working from left to right. The first three digits are always D07 or D08. The remaining three digits define the materials of construction. A choice of zero allows you to omit that component. Example: To order Teflon diaphragms only for a metal 1040 pump order D07-001.

Diaphragm Pump	Kit	Shaft O-Ring	Select One from Each Column		
			Seats	Balls	Diaphragms
<b>Metal Pumps</b>					
D	0	7 (Buna-N)	0 (Null) 2 (Acetal) 3 (316 SST) 4 (17-4 PH SST)) 5 (Hytrel) 6 (Santoprene) 8 (Viton) 9 (Polypropylene) A (Kynar)	0 (Null) 1 (Teflon) 2 (Acetal) 3 (316 SST) 4 (440C SST) 5 (Hytrel) 6 (Santoprene) 7 (Buna-N) 8 (Viton)	0 (Null) 1 (Teflon) 5 (Hytrel) 6 (Santoprene) 7 (Buna-N) 8 (Viton)
<b>Plastic Pumps</b>					
D	0	8 (Viton)	0 (Null) 2 (Acetal) 3 (316 SST) 4 (17-4 PH SST) 5 (Hytrel) 6 (Santoprene) 8 (Viton) 9 (Polypropylene) A (Kynar)	0 (Null) 1 (Teflon) 2 (Acetal) 3 (316 SST) 4 (440C SST) 5 (Hytrel) 6 (Santoprene) 7 (Buna-N) 8 (Viton)	0 (Null) 1 (Teflon) 5 (Hytrel) 6 (Santoprene) 7 (Buna-N) 8 (Viton)

### Sales/Distribution

North America Toll Free 800-367-4023


Telephone 612-623-6743

Fax 612-623-6580

Contact sales personnel

Locate authorized distributors

Product information literature

 GRACO INC.  
P.O. Box 1441  
Minneapolis, MN 55440-1441



Graco Inc. is registered to I.S. EN ISO 9001.

All visual and written data contained in this document are based on the latest product information available at the time of publication. Graco reserves the right to make changes at any time without notice.